

# Ku-Band Telemetry Transmitter (Dual Freq.)



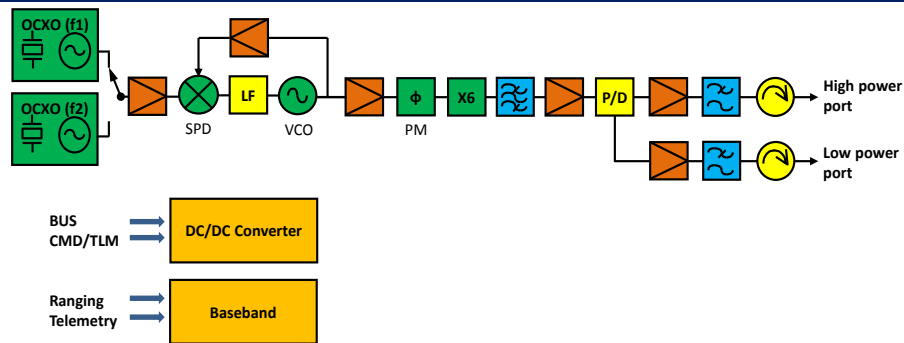
## Features

- ❖ Compact size and low mass
- ❖ High Frequency Stability using OCXO
- ❖ Low Phase Noise using PLL
- ❖ Switchable between two frequencies and between HP/LP mode
- ❖ Adjustable to any bus, ranging and telemetry interfaces
- ❖ High output power up to 10W available

## Heritage

- ❖ Intelsat
- ❖ SES
- ❖ ABS and more

## Block Diagram



## Main Performances

Operating Frequency Range	10.7 - 12.75 GHz
Output Power (High Power)	37 dBm typ.
(Low Power)	28 dBm typ.
Frequency Stability at AT level	$\pm 0.4$ ppm
Frequency Stability over life	$\pm 1.7$ ppm
Spurious	$< -60$ dBc
Harmonics	$< -45$ dBc
Phase Noise	
10 Hz	$< -54$ dBc/Hz
100 Hz	$< -74$ dBc/Hz
1 kHz	$< -91$ dBc/Hz
Power Consumption (High Power)	37 W nom.
(Low Power)	14 W nom.
Dimension (L x W x H)	250 x 120 x 160 mm
Mass	$< 2.3$ kg

\*Non contractual information. Subject to change without notice.

For further information please contact us at: [sales@east.melos.co.jp](mailto:sales@east.melos.co.jp) or by phone: +81-3-5719-8645